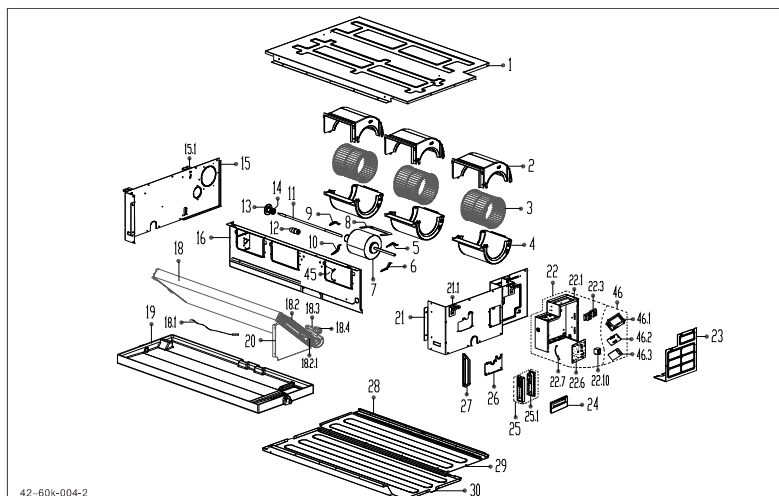


Almison Comercial - Despiece

Modelo Unidad : ALMC48V1A17UI
Tipo Unidad : Unidad Interior
Modelo Conjunto: ALMC48
Alimentación: 220-240V~ 50Hz 1Phase



No.	Nombre del Recambio (En)	Código
1	Chassis Assembly	12223000000521
2	Volute shell,up	12123000000024
3	Centrifugal fan	12100103000079
4	Volute shell,down	12123000000022
5	Top fixing clamp, fan motor, right	122230000000531
6	Below fixing clamp, fan motor, right	122230000000529
7	Brushless DC Motor	11002015000365
8	Motor Boarding	122230000000535
9	Top fixing clamp, fan motor, left	122230000000532
10	Below fixing clamp, fan motor, left	122230000000530
11	Connecting shaft	129230000000001
12	coupler	129230000000004
13	Bearing Fixing board	122220000003769
14	bearing block	126220000000013
15	Left panel Subassembly	122230000000121
15.1	Hook	122230000000418
16	Beam ass'y	122230000000238
18	Evaporator assembly Gas valve assembly	158230000000036
18.1	Temperature Sensor	11201007000136
18.1	Temperature Sensor	11201007000266
18.2	Inlet Pipe Subassembly	151230000000338
18.2.1	Copper nut	15500406000010
18.3	Outlet Pipes of Evaporator	151230000000299
18.4	Copper net	155004060000003
19	Drain pan ass'y	128230000000002
20	right mounting board ass'y. evaporator	122230000000288
21	Right side of the board assembly	122230000000075
21.1	Hook	122230000000418
22	E-Parts Box assembly	172230000000218
22.1	Welding Parts of Electrical Control Box	122230000000046
22.3	terminal block, 2p	17400401000026
22.6	Indoor Main Control Board Subassembly (Tie-in RoHS)	17123000000162
22.7	Room Temperature Sensor	11201007000073
22.10	Reactance	174003060000070
23	E-Part box cover	122230000000060
24	Wire Controller	17317100000194
25	Display box ass'y	172230000000003
25.1	Display board assembly	171230000000096
26	Pressing Plate Subassembly of Tube(RoHS)	122230000000524
27	strengthen board, right clapboard	122230000000112
28	Rear Transverse Beam	122230000000265
29	Rear Cover Plate	122230000000212
30	Cover components	12223000000198
45	Fan Motor Holder	122230000000560
46	E-Parts Box assembly	172230000000081
46.1	Electrical Control Box	122230000000052
46.2	Outdoor Inverter Module Subassembly	171220000008511
46.3	Radiator	11203803000154

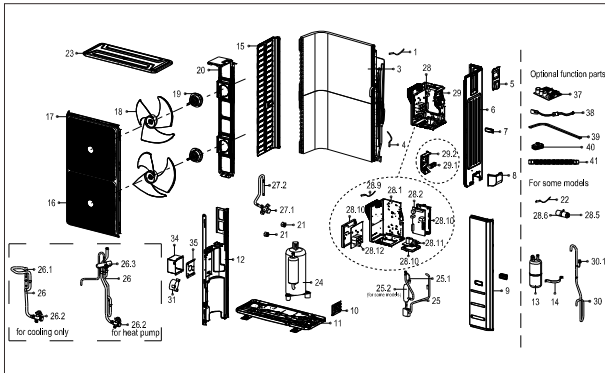
Almison Comercial - Despiece

Modelo Unidad: ALMC48V1A17UE

Tipo Unidad: Unidad Exterior

Modelo Conjunto: ALMC48

Alimentación: 220_240V_1Ph,FREQUENCY_50HZ



No.	Nombre del Recambio (En)	Código
1	Room Temperature Sensor	11201007001000
3	Condenser assembly	15822200001048
3	Condenser assembly	15822200001050
4	Temperature Sensor	11201007000006
5	Big Handle.	12222200001115
6	Rear right clapboard assembly	12222200002354
7	Little Handle	12100702000038
8	Water collector	12122000014023
9	Front clapboard assembly	12222000006287
10	Valve plate	12222200002361
11	Chassis	12222000006290
12	Partition board assembly	12222000005733
13	Accumulator cylinder	15500508000009
15	Left side plate assembly of cabinet	12222200002363
16	Air outlet grille	12122000014024
17	Front panel	12222000006291
18	Axial fan	12100105000022
19	Brushless DC Motor	11002015002241
20	Supporter assembly of fan motor	12222000006288
21	Brass Nut	15500406000003
21	Brass Nut	15500406000010
22	Discharge temperature sensor assembly	11201007000138
23	Top cover assembly	12222200002359
24	Inverter Controlled Rotary Compressor	11103020000029
25	Parts of compressor exhaust pipe	15123000008507
25.1	Pressure controller	17400516000020
26	Gas Valve Assembly	15423000002958
26.2	Low Pressure Valve	15500204000061
26.3	4-way valve	15500216000681
27	Liquid valve assembly	15423000002959
27.1	Liquid valve	15500208000026
27.2	Electronic expansion valve	15500213000245
28	Electronic control box assembly	17222000012528
28.1	Installation plate of electric parts	12222000006289
28.2	Main control board assembly	17122000023568
28.9	Discharge temp sensor assembly	11201007000157
28.10	Installation box of electric parts	12122000014022
28.10	Installation box of electric parts	12122000014021
28.10	Installation box of electric parts	12122000014182
28.11	Main control board assembly	17122000021908
28.12	Main control board assembly	17122500001774
29	Terminal Block Subassembly of Electrical Control Box	17223000003116
29.1	Wire holder	17400401000098
29.1	Wire holder	17400401000073
29.1	3-position Terminal Block	17400401000085
29.2	Wire joint	17223000001877
30	Parts of compressor return pipe	15123000008516
30.1	Pressure controller	17400516000008
31	PFC Inductor	11201101000002
34	Cover of inductance	12222000006284
35	Installation base of inductance	12222000006286