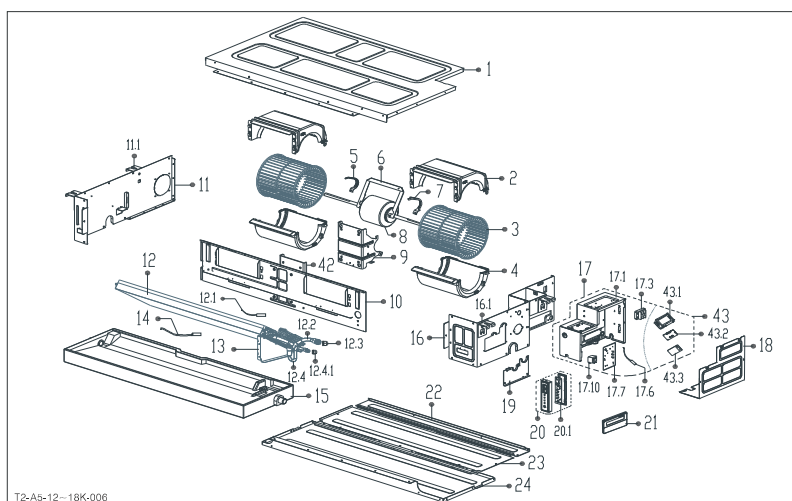


## Almison Comercial - Despiece

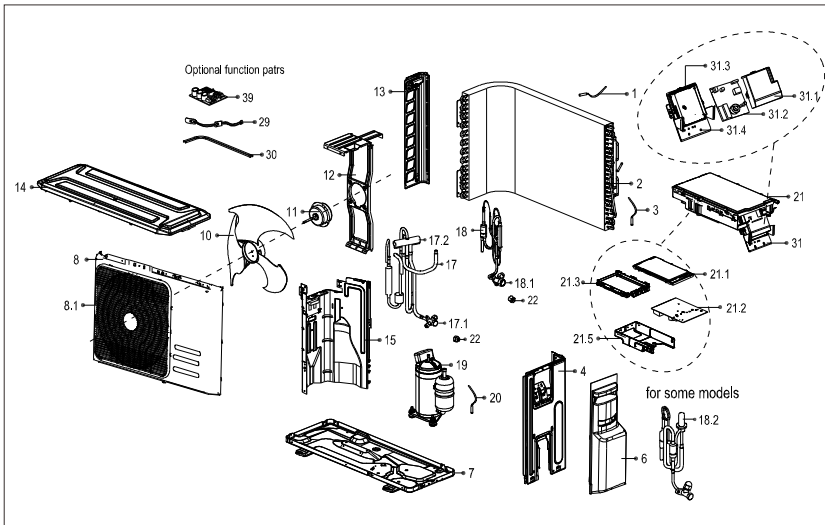
**Modelo Unidad:** ALMC18V1A17UI  
**Tipo Unidad:** Unidad Interior  
**Modelo Conjunto:** ALMC18  
**Alimentación:** null,220\_240V\_1Ph,FREQUENCY\_50HZ



No.	Nombre del Recambio (En)	Código
1	Chassis Assembly	12223000000515
2	Volute shell,up	12123000000024
3	Centrifugal fan	12100103000079
4	Volute shell,down	12123000000022
5	Motor clamp	122225000000253
6	Motor Boarding	122230000000537
7	Motor clamp	122225000000255
8	Brushless DC Motor	11002015000344
9	Fan Motor Holder	122230000000559
10	Middle beam components	122230000000233
11	Left panel Subassembly	122230000000122
11.1	Hook	122230000000418
12	Evaporator assembly Gas valve assembly	158230000000057
12.1	Temperature Sensor	11201007000136
12.2	Outlet Pipes of Evaporator	151230000000309
12.3	Copper nut	15500406000012
12.4	Input pipes of Evaporator assembly	151230000000402
12.4.1	Joint board of Evaporator	155004060000016
13	Components of the right support plate evaporator	122230000000291
14	Temperature Sensor	112010070000266
15	Water receiver assembly	128230000000001
16	Parts fn Right Side Plate	122230000000079
16.1	Hook	122230000000418
17	E-Parts Box assembly	172230000000218
17.1	Welding Parts of Electrical Control Box	122230000000046
17.3	terminal block, 2p	17400401000026
17.6	Room Temperature Sensor	112010070000073
17.7	Indoor Main Control Board Subassembly (Tie-in, RoHS)	171230000000162
17.10	Reactance	174003060000070
18	E-Part box cover	122230000000060
19	Pressing Plate Subassembly of Tube(RoHS)	122230000000524
20	Display box ass'y	172230000000003
20.1	Display board assembly	171230000000096
21	Wire Controller	17317100000194
22	Rear beam	122230000000263
23	Rear Cover Plate	122230000000217
24	Top cover ass'y	122230000000199
42	Motor Installing Foundation Subassembly	122230000000547
43	Electrical Control Box Subassembly	172227000000162
43.1	Electrical Control Box	122230000000052
43.2	Inverter Module Subassembly (Sticker)	171220000000498
43.3	Radiator	11203803000154

## Almison Comercial - Despiece

**Modelo Unidad:** **ALMC18V1A17UE**  
**Tipo Unidad:** Unidad Exterior  
**Modelo Conjunto:** ALMC18  
**Alimentación:** 220\_240V\_1Ph,FREQUENCY\_50HZ



No.	Nombre del Recambio (En)	Código
1	Room Temperature Sensor	11201007000039
2	Condenser Assembly	15822000003682
3	Temperature Sensor	11201007000136
4	Right Side Plate	12222000006565
6	Water collector	12122000014223
7	Chassis Assembly	12222000000711
8	Front panel	12222000004382
8.1	Air outlet grille	12122000010660
10	Axial fan	12100105000051
11	Brushless DC Motor	11002015000041
12	Fan Motor Holder Subassembly	12222200001462
13	Components of left supporting panel	12222000001379
14	Top cover assembly	12222000002451
15	Separation plate	12222000002226
17	Gas Valve Assembly	15422000007012
17.1	Low Pressure Valve	15500204000058
17.2	4-way Valve	15500216000026
18	High-Voltage valve Assembly	15422000004932
18.1	High-Voltage valve	15500208000028
18.2	Electric expansive valve assembly	15500213000047
19	Inverter Controlled Rotary Compressor	11103020000006
20	Discharge temperature sensor assembly	11201007000005
21	Electronic control box assembly	17222000012668
21.1	Electric Installing Box Cover	12222000001455
21.2	Outdoor power board assembly	17122000023672
21.3	Installation board for E-parts	12122000006913
21.5	Electric Installing Box Subassembly	12222000001311
22	Brass Nut	15500406000016
22	Brass Nut	15500406000012
31	Terminal board assembly	17222000012648
31.1	Cover of electronic control box	12122000014222
31.2	Outdoor power board assembly	17122000023668
31.3	Electronic installing box	12122000014221
31.4	Installation board for E-parts	12222000006564